



Electronic Pet Door Owner's Manual

IMPORTANT: You must use a surge protector with this electronic pet door. Voltage dips and surges can damage the circuit board and components.

www.Plexidors.com



*U.S. Patents Pending
*Patents Pending Worldwide

Plexidor® Electronic Pet Door and Components

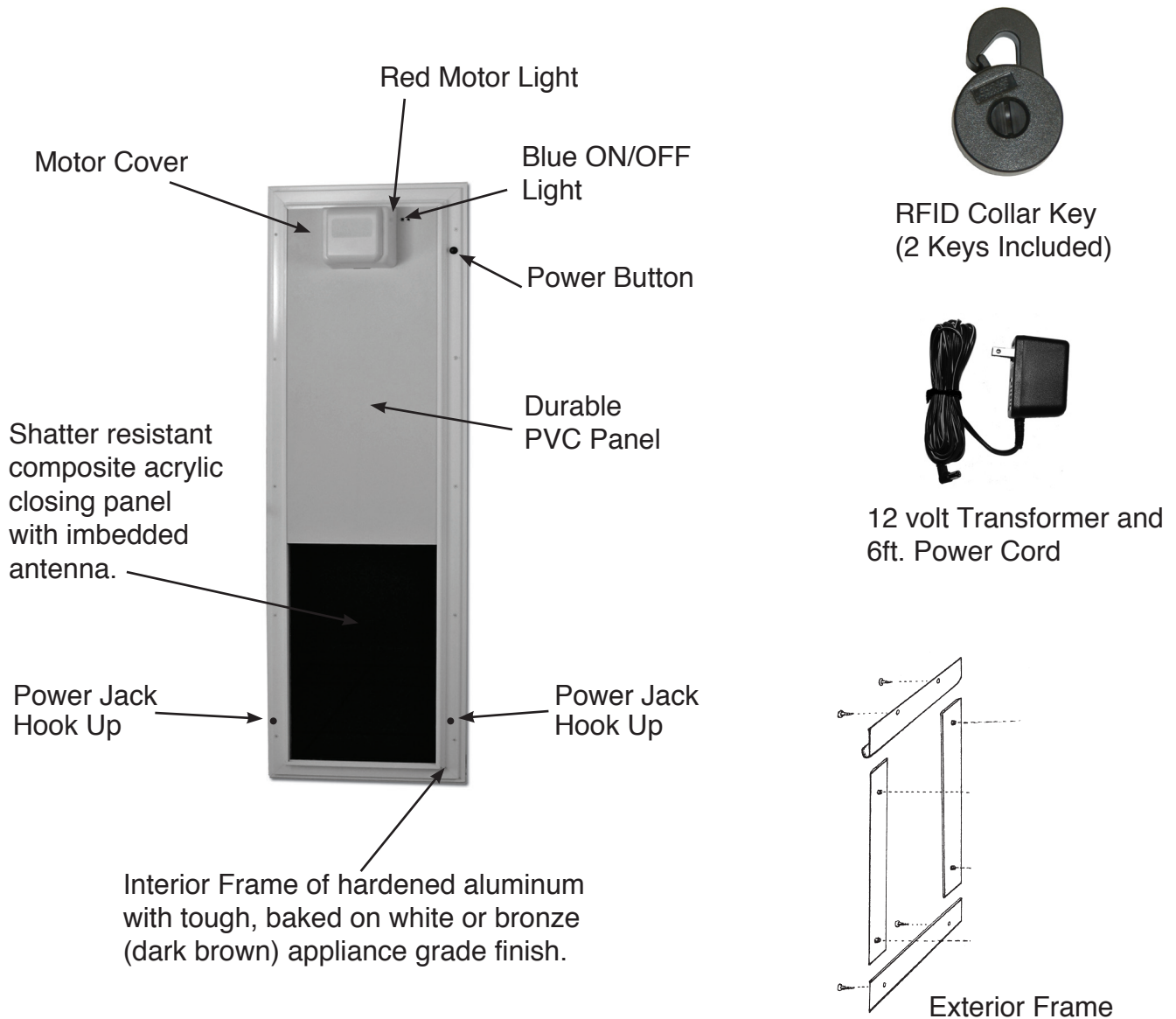


Diagram #1

IMPORTANT: You must use a surge protector with this electronic pet door. Voltage dips and surges can damage the circuit board and components.

Types of Installations

IMPORTANT: Before any installation you must first determine the proper height positioning for the pet door according to the diagram #2.

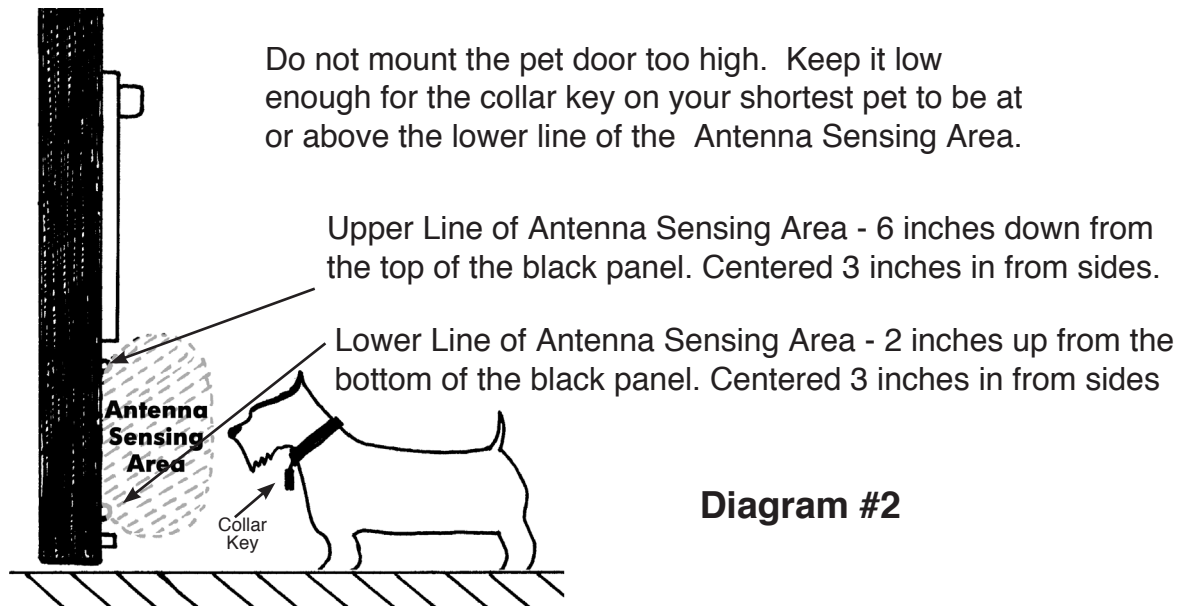


Diagram #2

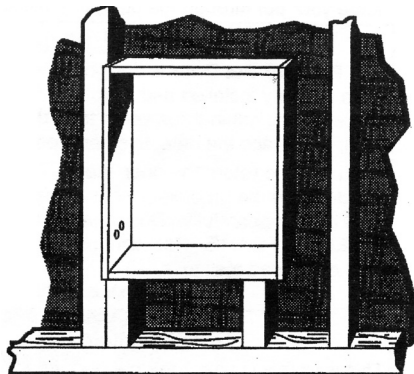
Door Installation:

Follow the instructions on the template that came with your The Plexidor® Electronic Pet Door.

Wall Installation:

You may build your own tunnel to finish out the interior of the cut hole, see diagram #3, or you may purchase a **Wall Tunnel Kit** from your dealer. See the Plexidor® Electronic Pet Door template for more instructions. If you are using a Plexidor® Wall Tunnel Kit see the instructions included with the tunnel kit.

The Plexidor® Electronic Pet Door can be plugged in using the power cord provided, or you may have an electrician hard wire the power cord into the wall.



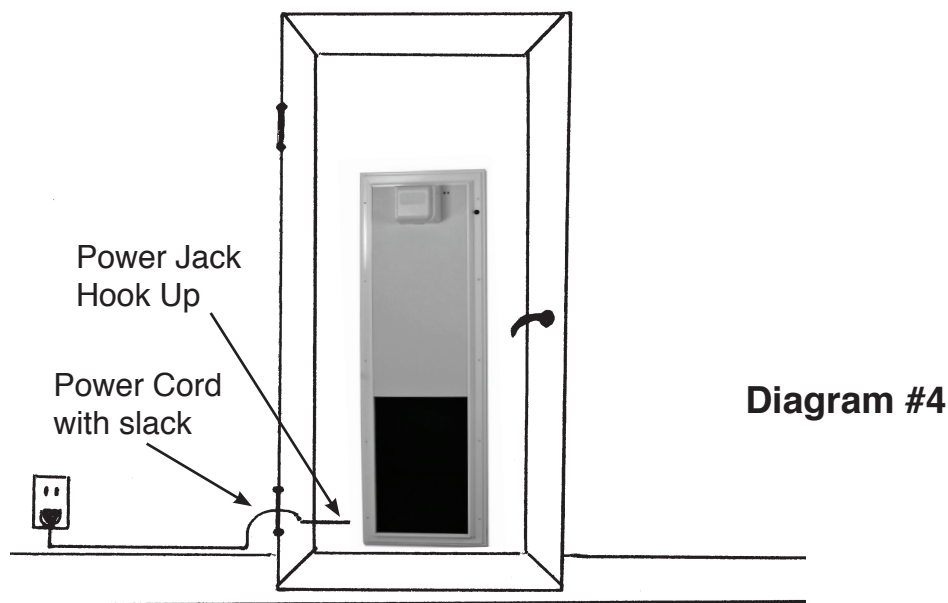
Example of a wall tunnel framing for a Plexidor® Electronic Pet Door.

Diagram #3

Power Cord:

The Plexidor® Electronic Pet Door can be plugged in using the transformer and 6ft. power cord provided. There are 2 power jacks on the pet door. See diagram #1. One is on the left side of the door and one is on the right side of the door so you can use the power jack that is closest to your outlet.

Attach the power cord along the wall. Use the nylon wire holders provided to keep the wire neat and tight against the wall. Leave a loop of slack over the hinge of the door. This will prevent the power cord being pinched when the house door is opened and closed. Leave enough slack in the power cord over the hinge that the wire can move freely as the house door is opened and closed. See diagram #4.



Hard Wiring for Power:

In a wall installation, you also have the option of having an electrician hard wire the pet door. The electrician will plug the transformer (black 12 volt power supply) into an outlet. ***IMPORTANT: This outlet needs to be installed by a licensed electrician. See page 11.**

Technical Notes for Electrician

The pet door can be hard wired as follows: Cut the end of the low voltage wires and twist them. Remove the 2 blue wires from the circuit board and put the 2 transformer wires where the 2 blue wires were at the top of the circuit board. See page 10 for further notes.

Pet Door Operation:

When the pet door is plugged in it will start up and be ready to operate immediately. You can plug the transformer into either the right side of the pet door or the left side of the pet door, depending on where your electrical outlet is located. The pet door is preprogrammed at the factory to open for the 2 collar keys included with the pet door. Placing the collar key in the antenna sensing area will open the pet door. The pet door will open for 9 seconds and then close. This open time is set at the factory. You can set the pet door to remain open for 7 second to 21 seconds. See Diagram #8 for detailed instructions on changing pet door open times.

Turn On Pet Door: Plug the transformer into an outlet. This will automatically turn on the pet door. If the pet door has been turned off by using the Black Power Button, then simply press the Black Power Button and the door will be in the On/Ready State. After a power outage when the power comes back on the pet door will automatically reset itself to ON/Ready State.

On/Ready State Indicator: The blue ON/OFF Light is on and blinking every 1.5 seconds. The pet door is on and waiting to read a collar key to open for your pet.

Turn Off Pet Door: Push the Black Power Button and hold for 3 seconds.

OFF State Indicator: When the pet door is off, but receiving power, the Blue ON/OFF Light will blink every 3 seconds.

No Power: If the pet door is not receiving power, none of the lights will be on or blinking. When power is restored or reconnected the pet door will automatically reset itself to ON/Ready State.

Alarm States -

1) Pet Door is Blocked from Closing - You can set the pet door to go into alarm if an obstruction stops the pet door from closing. This is a "Close Time" setting option. The directions for this are on page 9. If you set the door to Retry with Alarm setting the door will operate as follows: Senses obstruction. Pauses for 5 seconds, tries to close. If still obstructed, it will go into alarm for 1 minute, then retry. Then alarm for 5 minutes, then retry to close. Continuing this pattern increasing alarm time with each try. 1 minute, then 5 minutes, then 10 minutes, then 15 minutes, then 30 minutes. Then starting cycle over at 1 minute. When the item that is blocking the panel from closing is removed before the 3rd attempt the pet door will automatically complete its cycle and return to ON/Read State.

Remove the item blocking the pet door and then press the Black Power Button to reset.

2) Attempted Forced Opening of Pet Door- If someone tries to force the panel up to open the pet door the Blue ON/OFF Light will start flashing and there will be a constant alarm beep approximately 2 times per second.

To reset the door simply press the Black Power Button and the door will return to ON/Ready State. The pet door will not open for a collar key until the Black Power Button has been pressed to reset the door.

Recommended Maintenance: Vacuum out dirt and debris from panel tracks periodically. Put a drop of 3 -in-1 oil on locking mechanism bar once a year. (Shown on page 16)

Training Your Pet to Use the Plexidor® Electronic Pet Door:

Your pet needs to realize that they can go in and out of the pet door. Some pets will get the idea right away when they approach the door with the collar key on and they see the pet door opening.

If further training is needed, you can keep the pet door in the open position and then coax your pet through with a treat.

To keep the pet door in the open position: Press the “Test” button on the green circuit board. When the pet door gets to the fully open position, unplug the pet door. The pet door will stay in the open position until you plug the pet door back in. Then it will resume the operation cycle and close.

Call your pet through the open pet door several times to get your pet used to going in and out of the opening. Each time your pet goes through the pet door opening give them a treat, reward or praise.

After your pet has successfully gone through the opening several times, plug the pet door back into the outlet and return it to normal function. Now position yourself on the opposite side of the closed pet door from your pet. Call your pet from the other side of the pet door and when your pet comes through give them a treat, reward or praise. Do this a few times. That should be all the training required.

If your pet is not getting close enough to make the door open try this: Put a dab of peanut butter on the closing panel at the pet’s head height. Call the pet to lick the treat. Or call the dog to the door panel and get them to touch the panel with their nose. Praise or give a treat for each success.

IMPORTANT: Never force your pet through the pet door.

Problem: Pet has to get too close to activate door

The Plexidor pet door should activate from 8 to 16 inches away. If your dog is having to get closer than 8 inches for the pet door to activate the door check the following:

1. Make sure there are no metal tags on the pet’s collar that could hang down in front of the collar key.

2. Try to train your dog to approach the pet door with his head up. The peanut butter on the panel suggestion is very helpful with this.

3. Test to be sure the pet door is activating properly. Hold one of the collar keys in your hand at dog level. Starting out at about 2 feet from the pet door move forward slowly until the pet door activates. Stop where you are and measure how far you are away from the pet door. Don’t do this test while holding a metal measuring tape, it will interfere with the test. If your measurement is less than 12 inches of distance from the pet door, you should tighten the antenna wires on the circuit panel. If that doesn’t increase the distance then go through the power checking steps on Item #1 of the diagnostic checklist on page 12.

Programming Collar Keys:

Your Plexidor® Electronic Pet Door will arrive with 2 collar keys that have been programmed to match the pet door. If you need to order more collar keys or replacement collar keys you will program them as follows below. You may program up to 10 collar keys. To program collar key(s):

1. Remove the motor cover by squeezing from both sides and tipping the motor cover down and out. Once the motor cover is removed you will see the metal spring, motor and green circuit board of the control panel.

The Program Button, Test Button and green LED Program Light are marked on the green board. See diagram #5.

2. Take the collar key that you wish to program and bring it in front of the antenna loop area of the pet door. See diagram #2. Hold the collar key in this area until you see the blue ON/OFF light flash.

3. Push and hold the Program Button for approximately 4 seconds, until the Program Light flashes green and you hear a quick beep. The collar key is now programmed.

4. Check to make sure the key is properly programmed by holding the collar key in the antenna sensing area. The door should open. If the door does not open, check that the blue ON/OFF light is on and blinking approximately every 1.5 seconds. This is to ensure that the pet door is receiving power. If the blue ON/OFF light is on and blinking, then repeat steps 1 through 3 above.

When the blue ON/OFF light is rapidly blinking the door is sensing a collar key that has not been programmed.

Deleting A Collar Key:

Deleting a from memory requires that the unit be in the delete tag mode. This is accomplished by pressing the "PROGRAM BUTTON" five times. The unit will start to beep to indicate the delete tag mode is active. Now place the tag to be deleted in front of the antenna, the confirming beeps will be heard to indicate the tag has been deleted from memory. Please note that once the delete tag mode is entered, you have 5 seconds in which to place the tag to be deleted in front of the antenna. If a tag is not presented in front of the antenna within five seconds, the mode will timeout and return to normal operation.

Deleting All Collar Keys:

In order to guard against accidentally deleting all saved tags from memory, the delete all tag sequence will only be valid for the first 15 seconds after the unit powers-up. In order to delete all saved tags, enter the delete tag mode by pressing the "PROGRAM BUTTON" five times. The delete tag mode beeps will be heard. Now press and HOLD the "PROGRAM BUTTON" for five seconds, the delete tag beeps will change to the delete all tag beeps. You now have five seconds to press and HOLD the "TEST BUTTON" If this was done correctly the delete all tags confirming beeps will be heard. The unit will return to normal operation.

**Diagram of Plexidor® Electronic
Motor Area With Cover Off**

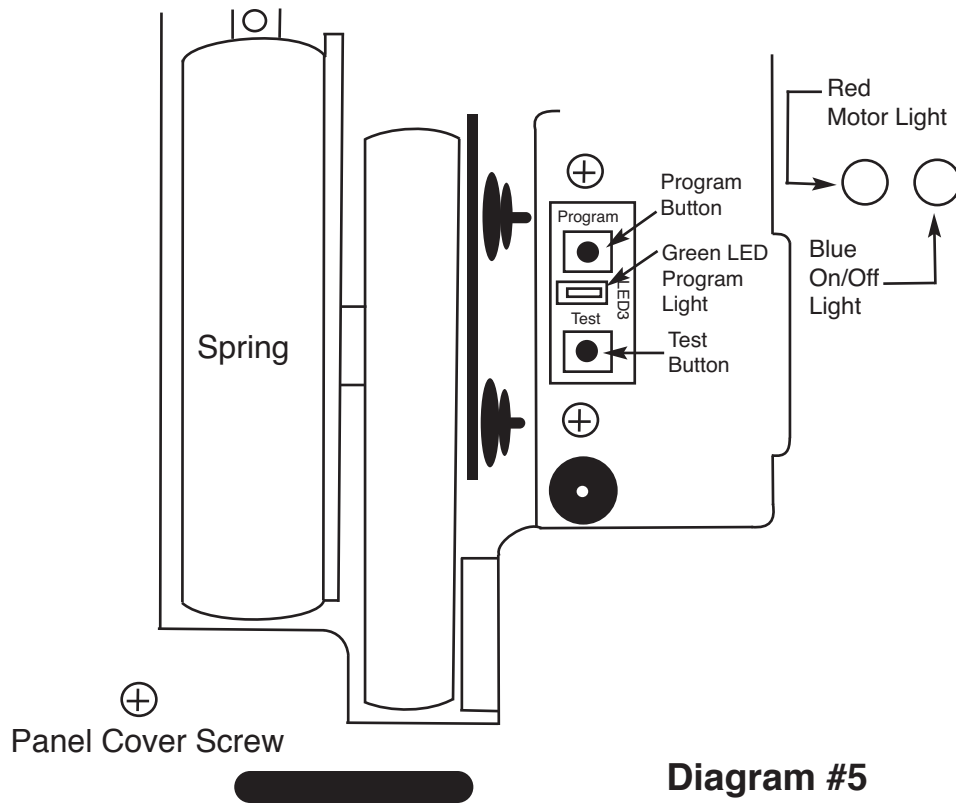
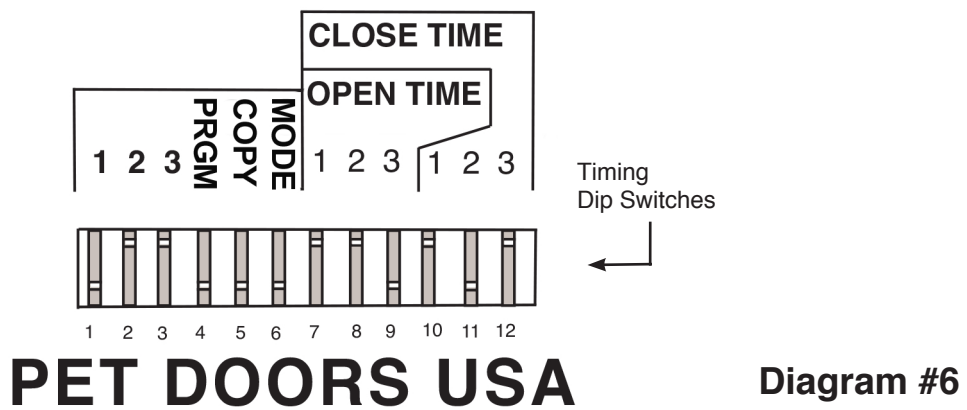


Diagram #5

**Diagram of Plexidor® Electronic
Panel Dip Switches for Programming Door
Open/Close Timing and activating
Obstruction Sensing**



Matching 2 or More Plexidor® Electronic Pet Doors to Your Collar Keys:

If your pet(s) will be using 2 Plexidor® Electronic Pet Doors you can easily program the pet doors to read the same collar keys. Simply hold the collar key in front of the black closing panel and hold down the Program button on the green circuit board until you hear the “chirp” confirming that the collar key has been programmed. Do this programming step on both Plexidor pet door units.

Open/Close Time Adjustments on Pet Door:

To Change the Open/Close Time on Pet Door -

1. Remove the motor cover on the pet door by squeezing the cover on both sides and tipping the motor cover down and out.
2. Remove the panel cover screw on the pet door. This screw is located just below and to the left of the metal spring. See diagram #5. When you remove the panel cover screw, hold the panel in place with your hand or it will drop straight down. Slide the panel cover down, exposing the green electronic controls board. Locate the Close Time and Open Time dip switches on the green board. See Diagram #8A on page 10.
3. **To change Open Times:** Flip the dip switches to match the settings shown in Diagram #8B for the different open times. The dip switches are white.

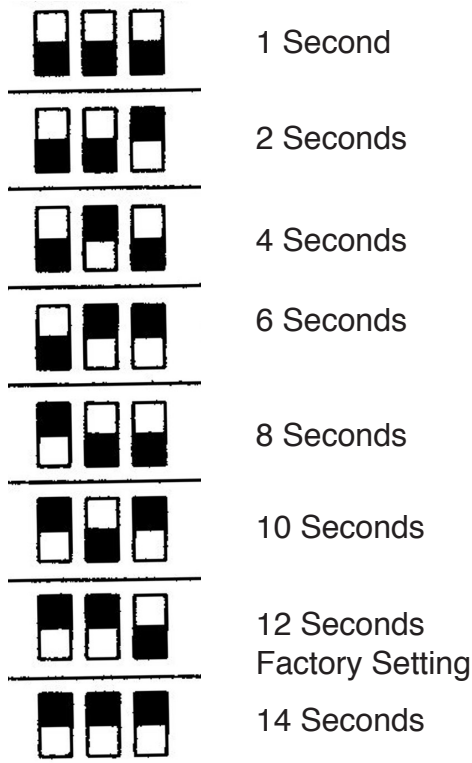


Diagram #8B

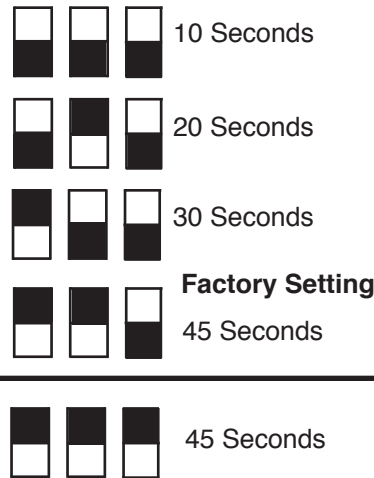
**White Switch Positions
for Panel Open Time
Time allowed before door
starts to close**

4. To change Close Times:

Flip the dip switches to match the settings shown in Diagram #8C for the different open times. The dip switches are white.

White Switch Positions for Panel
Close Time
 Time allowed to close

Diagram #8C



5. Obstruction Sensing Settings.

MODE Dipswitch #6 Up = Retract, Retry and Alarm as follows:

Pet door senses obstruction. Pauses for 5 seconds, tries to close. If still obstructed, it will go into alarm for 1 minute, then retry. Then alarm for 5 minutes, then retry to close. Continuing this pattern increasing alarm time with each try. 1 minute, then 5 minutes, then 10 minutes, then 15 minutes, then 30 minutes. Then starting cycle over at 1 minute.

MODE Dipswitch #6 Down = Continuous Retry and No Alarm as follows:

Pet door senses obstruction. Retracts, then tries to close again. If obstruction is still present the door panel lifts a few inches, pauses and tries to close again. It keeps cycling this way and trying to close without going into alarm.

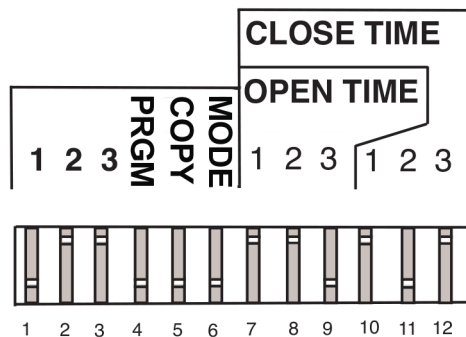


Diagram #8A

PET DOORS USA

* See inside of motor cover for quick instructions on set-up, collar key programming and changing open and close time.

Plexidor® Electronic Pet Door

In the Wall Hard Wiring Recommendation

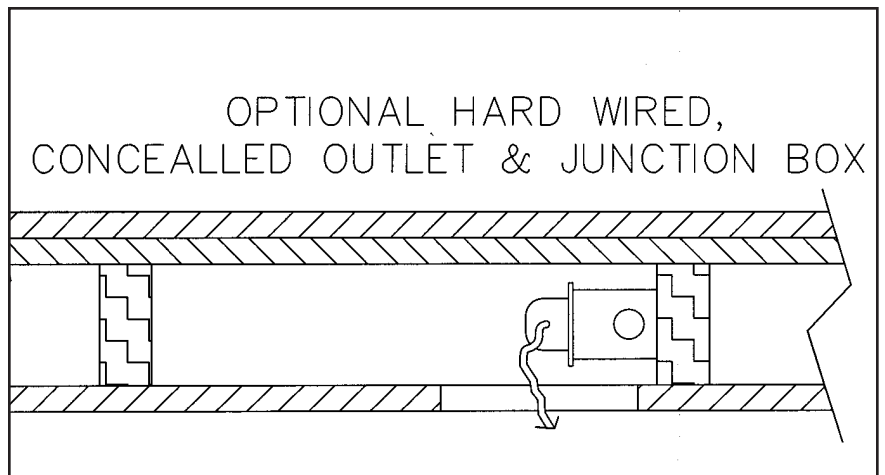


the screw that holds up the cover panel is located under the Motor Cover

If you hard wire the pet door inside the wall it is best to install the outlet on the right hand side in the area indicated between the arrows.

This will allow access to the outlet after the pet door is installed.

After the pet door is installed the homeowner can remove the screw that holds the panel cover in place and then slide down the panel cover to access the outlet when necessary.



Technical Notes for Electrician

The pet door can be hard wired as follows: Cut the end of the low voltage wires and twist them. Remove the 2 blue wires from the circuit board and put the 2 transformer wires where the 2 blue wires were at the top of the circuit board.

PLEXIDOR ELECTRONIC TROUBLE SHOOTING DIAGNOSTIC CHECKLIST

#1. CHECK THAT POWER IS NOT THE PROBLEM:

1. Watch the Blue On/Off light for about 10 seconds. If there is no blue light winking on there is no power coming to the door. So next steps are:

a) Check that the 2 plug in jacks on front of the pet door are both working. Do this by plugging in the transformer on the opposite side jack from whatever side it is currently plugged in. If the door works in the opposite side jack then you know there is a problem with the wires that attach to the first side jack. Check those wires and tighten them if that is the problem, or resolder the wire if it has been broken.

b) Check that pet door is securely plugged in. Old style electrical outlets can be too wide. The prongs of the plugs should not be loose fitting in outlet. To check if this is the problem, plug the pet door into an extension cord and see if it works.

b) Check that outlet has power. Use a volt ohmeter. In the U.S.A. and Canada the outlet should test as having 110 to 120 volts AC. If the outlet does not have correct power call an electrician

d) Use a volt ohmeter to make sure the 12 volt transformer is working and providing power. When you test the jack end of the transformer you should get a reading of 12 to 15 volts AC. If you are not getting 12 to 15 volts AC you will need a new transformer.

2. If the Blue On/Off light is off and blinks every 5 seconds, you know the door is receiving power and turned off. If the blue light is on and winking approximately every 3 seconds then you know the door is receiving power and turned on.

If power was not the problem, go on to the next check.

#2 RESET THE DOOR:

Press and hold the on/off button to shut off the door.

Leave it off for 3 minutes.

Press the on/off button to turn back on the door.

Press the Test button on the green circuit board. The door should open and close. Do this 2 times.

Then hold the collar key in front of the door and see if it opens the door. Do this a few times.

The door is now reset and should function. An electrical surge may have cause this problem. Check to be sure the pet door is plugged in to a surge protector and that the surge protector is functioning.

#3 CHECK THAT COLLAR KEY IS PROGRAMMED:

1. Hold the collar key in front of the door. If the Blue On/Off light blinks rapidly you know you have power and the circuit board is sensing the collar key, but the collar key has not yet been programmed with the door's combination number.

To program the collar key hold the key in front of the door and when the Blue On/Off light blinks rapidly, push and hold the program button for about 3 seconds until you hear a beep and see a steady green light. The program button is located on the green circuit board and the green light will be just beneath the program button.

Check that the collar key is now programmed. Hold the collar key in front of the door and see if it makes the door open as it should. Do this 3 times. Check all of the customer's collar keys.

#4 CHECK THAT MOTOR IS RECEIVING POWER AND WORKING:

1. With door plugged in and turned on, hold the collar key in front of the door. Watch the red motor light. The red light is supposed to come on when the motor makes the panel open and close. The motor light should be solid on as the panel goes up and goes down.

2. If the red light comes on but the door does not open, then there may be a motor problem or a problem with the spring hub.

First check the spring hub: With the motor cover off, press test and watch to see if the red motor light goes on. If the light goes on but nothing happens, look at the motor and see if it is spinning. If it is spinning but the hub wheel is not moving you need to replace the motor hub. (We will send you one if you don't have one in stock) See Replacing Hub Instructions.

3. If it is not the motor hub, it may be a motor problem. This motor is rated for 3 million cycles, so the problem is probably just a wire connection. Remedy is to check that that red and black motor wires are fully connected to the top of the green circuit board. When you tighten these wires DO NOT OVERTIGHTEN or you will break the fastener screws.

#5 CHECK THAT CLOSING PANEL IS NOT OBSTRUCTED:

1. Make sure the closing panel moves up and down freely in the guide tracks. To do this you will unhook the metal spring strap from the screw where it attaches to the top of the closing panel. Then you can use a paper clip to hook onto the screw that the spring strap hooks onto. Slide the panel up and down in the tracks to make sure there are no obstructions. See the instructions for Panel Replacement.

#6 CHECK TENSION ON NYLON GUIDE STRAP BEHIND METAL SPRING STRAP:

1. Unscrew the panel cover screw and slide down the upper panel cover and then flex the upper panel cover and pop it out of the frame tracks. Check that the nylon guide strap which runs behind the metal spring strap is taut. This nylon strap runs from the top of the inside of the frame down to the pet door opening.
2. Now press the Test Button and watch the panel go up and down 4 or 5 times. Check that the nylon strap does not move and interfere with the panel or the metal spring strap. If the nylon strap is too loose and causing a problem you will need to shorten it so it will be taut. To do this you will need to shut off the door, unplug it and then uninstall the pet door.
3. Next, unscrew the 2 screws that attach the metal motor mount plate to the inside of the upper frame piece. Then you can slide the top frame piece up so you can get to the screw that holds down the top of the nylon guide strap. Unscrew the strap and pull it taut. Then cut enough off the strap to make it taut and make a new hole in the strap for the screw. Then screw it back in place. Check that it is taut, slide the top frame piece back down and screw the motor plate screws back into place. Reinstall the door and plug it in and make sure it works .

#7 CHECK THAT ANTENNA WIRE HAS NOT BEEN DAMAGED OR BROKEN:

The antenna wire is a continuous piece of wire that is looped inside of the black closing panel on the pet door. This wire exits the black closing panel and is guided up to the green circuit board by a plastic grommet and blue tubing. Breaks can occur in the wire.

1. Visually check for break in antenna wire:

Unscrew the panel cover screw and slide down the upper panel cover. Check the clear antenna wire tubing with the blue sleeve on it. Make sure the tubing shows no sign of being pinched or bent. In some of the older doors the antenna tubing can develop enough slack that it gets bunched up behind the panel cover as the closing panel goes up and down. This can interfere with the closing panel and sometimes the wire inside the tubing gets broken. If the wire is broken inside you will need to install a new closing panel with a new antenna wire and the updated attached protective grommet. If you do not have one, you will have to order one.

2. Check antenna wire for break using a volt ohmeter or a continuity tester.
Unscrew the antenna wire leads from where they screw into the green circuit board. Now test these 2 wires for breakage using either a continuity tester or a volt ohmeter. These 2 wires are the ends of a loop, so you will be testing them together.

a) Continuity Tester - A continuity tester determines if a wire has been broken. You can purchase very simple and inexpensive continuity testers at most hardware stores. Most continuity testers have an alligator clip and a probe end. You clip the alligator clip on one of the antenna wire lead and you hold the second antenna wire lead against the metal probe. The tester will usually have an indicator light or a tone to designate that the wire is whole and not broken. To make sure

(Checking for antenna wire break, continued)

your continuity tester is working, clip the alligator clip to the metal probe on the continuity tester itself. This completes the circuit, just like an unbroken wire, and should give the light or tone to indicate a whole wire.

If the continuity tester indicates the antenna wire is broken you will need to order a replacement antenna panel.

b) Volt Ohmmeter Tester - A volt ohmmeter tests for voltage and resistance. You will set it to test the ohms of resistance on the antenna wire. This is indicated by the “Ω” setting on your tester. If the wire is broken, the tester will show a resistance reading of infinity “∞”. Some digital testers show “0” reading for a broken wire. If the wire is not broken you should get a reading of approximately 3.8 Ohms.

#8 CHANGE DOWN SPEED SETTING: (DOWN POWER on older units)

If resetting the door did not work we are next going to change the Down Speed setting on the door. The Down SPEED setting can be set too high for your installation. As the panel comes down the system is sensing for obstructions that may be blocking the panel. If the down speed is set too high, the system will be over sensitive. You will know it is set too high if the closing panel stops several times on the way down. Adjust the down speed lower until the closing panel comes down slow and smooth.

It will be easier to adjust the Down Speed setting if you slide down the panel cover. To do this just unscrew the panel cover screw (see diagram on Pg 8) and let the panel cover slide down and expose the green circuit board.

Shut off and unplug the pet door. Locate the blue Down Speed setting knob (this is a screw on older units) on the circuit board. It should be down and to the right of the test button. It is labeled and has a line pointing to the setting screw. This knob/screw freely rotates in a range from about 8 o'clock to 4 o'clock, with 8 o'clock being the lowest setting and 4 o'clock being the highest setting. It is usually set straight up at 12 o'clock when it leaves the factory. If it is at 12 o'clock then turn it gently counter clockwise as far as it will go, usually about 8 o'clock. Now gently turn the knob/screw clockwise to about 3 o'clock. The Down Speed is now reset. Plug the pet door in and turn it on. Press the Test button and see if the panel comes down smoothly. You may have to do this a few times to get the setting to a smooth up and down function. Once you have the setting corrected just put the panel cover back in place and put the motor cover back on and you are done.

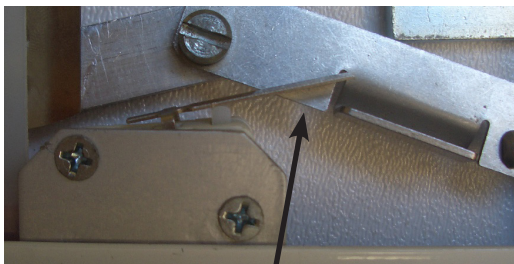
#9 ACTUATOR SWITCH ARM DAMAGE OR MISALIGNMENT:

Check the actuator arm and switch near the locking mechanism for signs of visible damage or misalignment. You will need to unscrew the 10 screws that hold the pet door in place and remove the pet door from the mounting hole to view and have access to the actuator arm and switch. Set the pet door down on the ground, but in the upright position, and turn it around so that you can see the back side. Now the locking mechanism and Micro Switch and Actuator Arm will be visible and accessible.

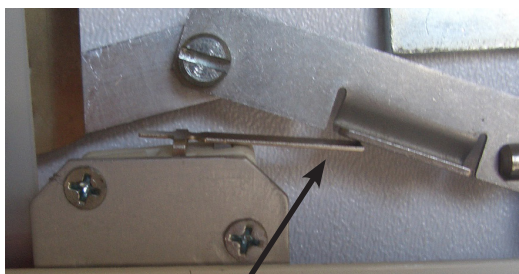
Look at the Actuator Arm and see if it appears to be in the correct position and if it is damaged or bent in any way. See photos below.

If the Actuator Arm is not in the correct position, reposition it so that it is under the locking mechanism bar. You will do this by first pushing on the locking mechanism so that the panel flexes in and then you can reposition the Actuator Arm without bending it.

Now plug the door in and check to see if it functions properly. Test it 4 or 5 times to be sure it is working. If it does work properly then you will not need to change the Micro Switch and Actuator Arm. If it does not work, you will need to replace those parts.



Incorrect position:
Actuator Arm on top of lock bar.



Correct position:
Actuator Arm below lock bar.



View of back of pet door
showing lock and micro switch

#10 CIRCUIT BOARD FAILURE:

If you have checked all of the above and the pet door still won't function properly, you may have a faulty circuit board. See Instructions for Replacing Circuit Board

****MAKE SURE THE ELECTRONIC PET DOOR IS PLUGGED IN TO A SURGE PROTECTOR. POWER SURGES AND LIGHTNING CAN DAMAGE THE CIRCUIT BOARD**



Plexidor® Electronic Pet Door

Need Help?

If you have any installation questions or technical issues with your Plexidor® Electronic Pet Door please call the Plexidor® Technical Support Line directly at:

941-758-1951

The Technical Support Line is open Monday through Friday from 10am to 4pm eastern time.

You may also email to:

support@plexidors.com



Our Guarantees:

Unconditional 90 Day Satisfaction Guarantee

You must be completely satisfied with your Plexidor®. If not, simply return the Plexidor® to your dealer.



Plexidor® 5 Year Limited Residential Warranty

Your **Plexidor®** pet door is designed for years of trouble-free service when properly installed and maintained. If any manufacturing defect, malfunction or failure occurs within five years from the date of purchase, we will repair or replace the defective part free of charge. Local labor is not included in the warranty. If you need to return the door, please enclosed a copy of your original dated purchase receipt with your name and address, and describe the problem. Package must be shipped at your expense by UPS, FedEx, DHL (or similar carrier) and insured and shipped to:

**Plexidor Warranty Dept.
4523 30th Street W. #E502
Bradenton, FL 34207**

This warranty is void if the Plexidor® has, in our opinion, been incorrectly installed; or damaged due to misuse or abuse or lack of reasonable care; or if repairs or alterations have been made by unauthorized persons.

This warranty does not cover accidental damage, or consequential damage to property or animals.

Plexidor® Pet Door Size _____ **Date of Purchase** _____

To locate your local authorized dealer go to: www.plexidors.com